

Overview
of Products
+ Services

ProBook-Tech

TECHNOLOGY for sustainable BookBINDING

- Home
- About us
- Products
- News
- Contact

Book CASING-IN made easy!

Casing-in Machine ODM Sticker™ (CE)

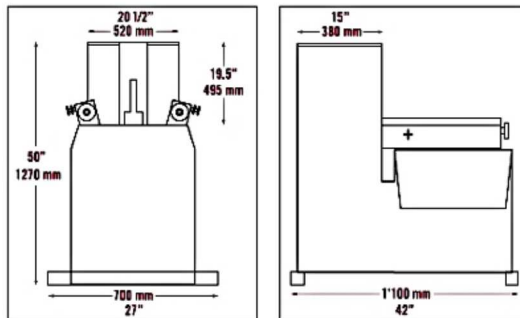
Compact, semi-automatic casing-in machine for hardcover book production in short runs. It is self-adjusting and requires no make-ready for size change. The PVA glue pots are portable for quick and easy cleaning. Simply load the book block on to the wing and the cover to the vacuum device (photo), specially useful for thin blocks.

Remarkable Quality Features

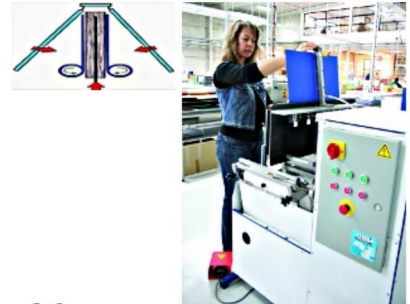
- User-friendly and simple control
- Safe and long-lasting engineering (CE)
- Self-adjusting, no make-ready required for size change
- Removable and portable glue stations to ensure constant quality

Technical Data	(subject to change)
Book size, max.:	300 mm x 350 mm x 100 mm (12"x14")
Book size, min.:	100 mm x 100 mm x 1 mm (4"x4")
Output (books per hour, approx.):	100 - 400 B
Floor space / Foot print, approx.:	1'100 mm x 700 mm
Machine weight, approx.:	160 kg
Electrical connection:	230V, 50 Hz, 1-Ph

Layout



Remarks



CE

Products

ODM

- CASEmaking
- SuperSewer (side sewer)
- Sticker (casing-in)
- Smasher (building-in)
- Separator (cut "window")

- CASEmaking XXL
- Sticker XXL
- Smasher XXL

- Super STICKER
- Super SMASHER

SMYTH

- Smyth SM14 (the smallest)
- Smyth DIGITAL LINE (the newest) integrated folding and thread sewing

Service Box

video

e-Mail [Contact Form](#) for further information, QUOTATION, appointment, etc.

Pdf Downloads

- [ODM Sticker brochure](#)
- [ODM catalogue metric data](#)
- [ODM Sticker Prospekt](#)
- [ODM Sticker brochure](#)
- [ODM catálogo](#)
- [ODM catalogo generale](#)



[back to START / Home](#)

ProBook-Tech Ltd. / Bleiche West-E23 (Showroom) / CH-4800 Zofingen / Switzerland
E-Mail: info@pro-book.ch - Tel: +41 62 791 52 14 - <http://www.pro-book.ch>