

Overview  
of Products  
+ Services

Products

**ODM**

- CASEmaking
- SuperSewer (side sewer)
- Sticker (casing-in)
- Smasher (building-in)
- Separator (cut "window")

- CASEmaking XXL
- Sticker XXL
- Smasher XXL

- Super STICKER
- Super SMASHER

**SMYTH**

- Smyth SM14 (the smallest)
- Smyth DIGITAL LINE (the newest) integrated folding and thread sewing

**XXL BUILDING-in made easy!**

**Building-in Press ODM Smasher XXL™ (CE)**

from wallet-size to tabloid (A3-landscape) size

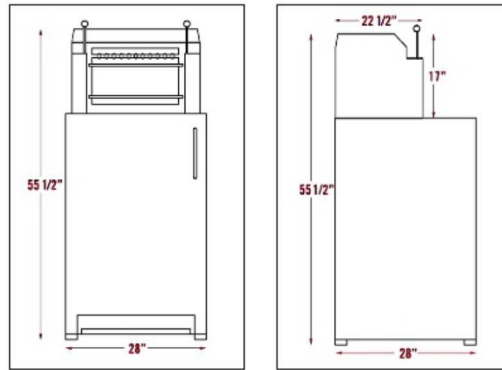
Self-adjusting, hydraulic **Building-in Press** for hardcover binding. Up to 10 tons of pressure and heated joint irons (nipping reactivates the glue) ensure perfect book quality at safe work conditions.

**Remarkable Features**

- Robust, heavy duty press
- User-friendly, simple and safe by two-hands-control (CE)
- High pressing force (up to 10'000 kg) for perfectly shaped book+spine
- Adjustable parameters (thermostat and timer) make durable book joints
- Cost-effective, requiring no make-ready

Technical Specifications	(in mm, subject to change)
Book size, max.:	450 mm x 450 mm x 100 mm (18"x18")
Book size, min.:	100 mm x 100 mm x 1 mm (4"x4")
Output, approx. (books / hour):	160 - 240 B
Floor space/Foot print, approx.:	800 mm x 800 mm
Weight of machine, approx.:	400 kg
Electrical connection:	230V, 50 Hz, 1-Ph

**Layout**



**Remarks**



**Service Box**

**video**

e-Mail [Contact Form](#) for further information, QUOTATION, appointment, etc.

**Pdf Downloads**

- [ODM SmasherXXL brochure](#)
- [ODM Smasher XXL Metric Data](#)
- [ODM SmasherXXL Datenblatt](#)
- [ODM SmasherXXL spécifications](#)
- [ODM catálogo](#)
- [ODM catalogo generale](#)



[back to START / Home](#)